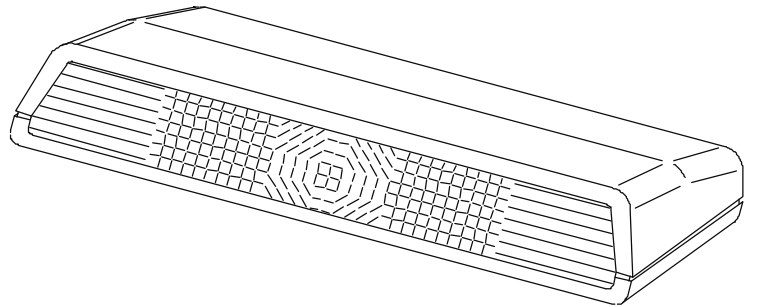


## REAR LIGHT WITH ACOUSTIC SIGNALLER MODEL



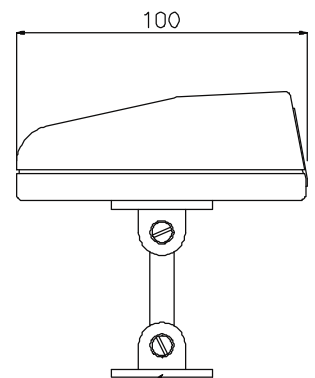
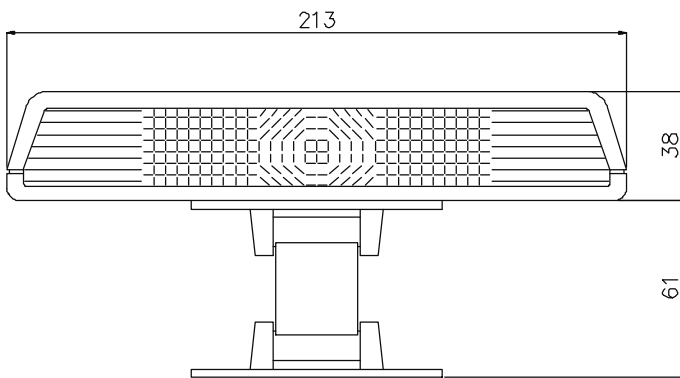
The flickering multivoltage light with built-in acoustic signaller has been designed to increase operators safety during vehicles reverse running.

The light and/or acoustic signaller are used to warn people around the vehicle of possible danger.

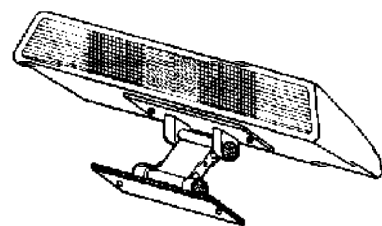
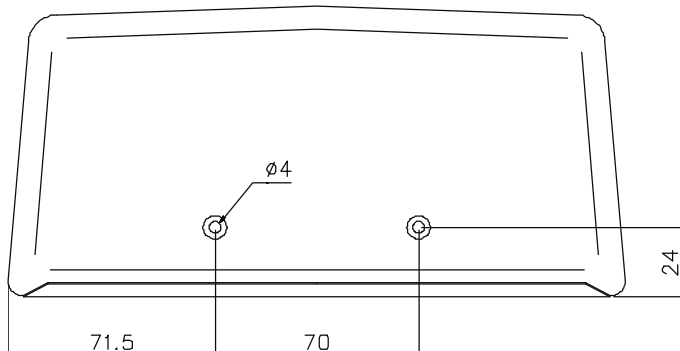
This part is included among the safety devices provided for by the law provision 626/94.

For specific assembling requirements, a supporting kit for the flickering multivoltage light is available (on request). This allows not only light lifting but also adjusting.

### FMI DIMENSIONS



Supporting Kit on Request



~~NEWS~~

FMI MODELS

MODEL	REF. NUMBER	RUNNING VOLTAGE	FEATURES
FMI-01	20.002550	12/120V Multivoltage	Flickering light with intermittent acoustic signaller
FMI-02	20.002551	12V	Fixed light with intermittent acoustic signaller
FMI-03	20.002552	24V	Fixed light with intermittent acoustic signaller
FMI-0	51.022581	/	Accessories for adjusting support

FMI CONNECTION

